



EXTRA330SC – 35%

Assembly instructions in pictures

Technical data:

Wingspan: 26200 mm

Length: 2580 mm

Surface area: 130 dm²

Take off weight (dry): 14,5 kg

Engine/RC equipment:

- Engine – 2 cylinders like MVVS 116, DA120, etc.

Servos:

4 strong standard size servos – Ailerons

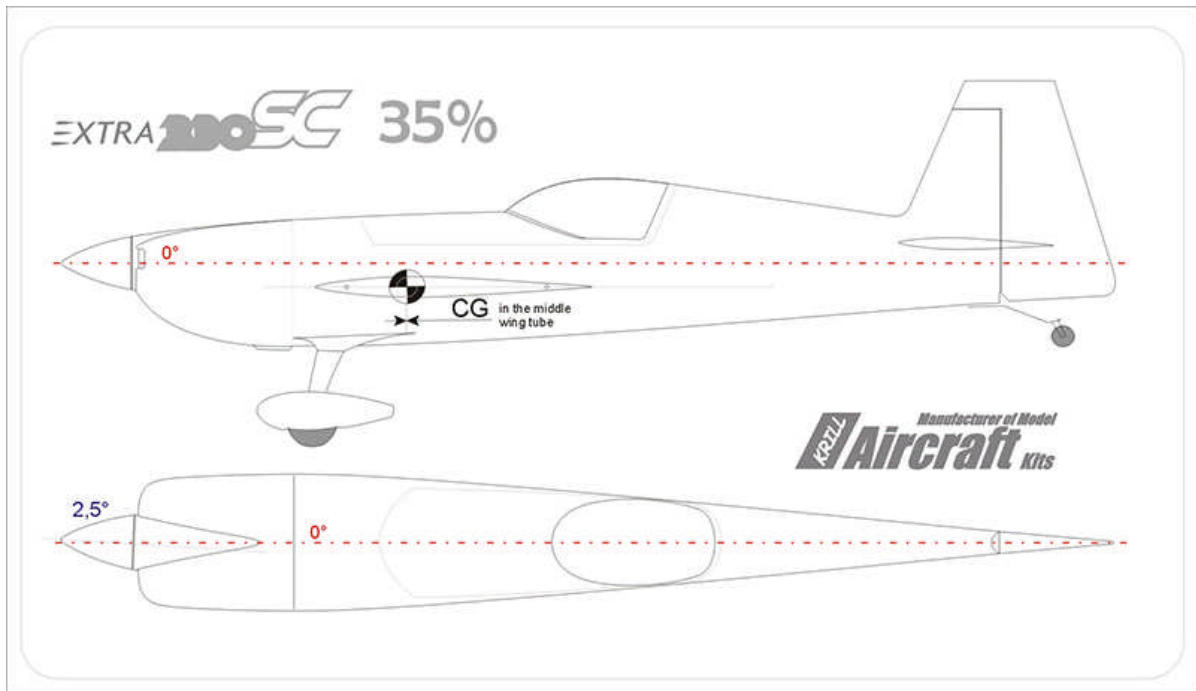
2 strong standard size servos - rudder

2 strong standard size servos – elevators

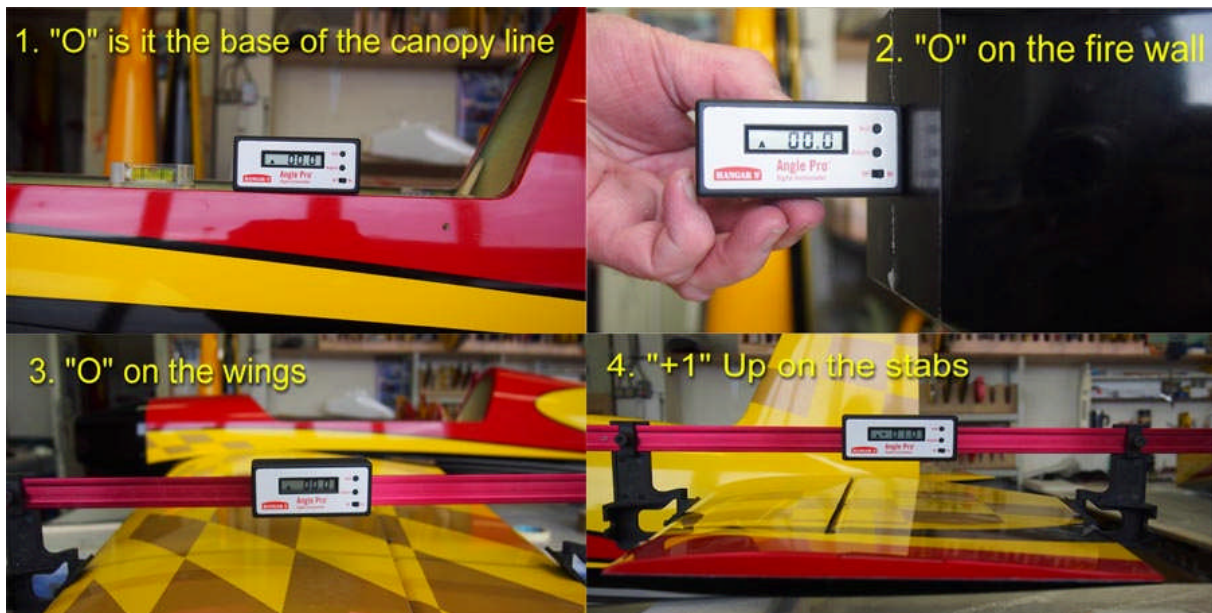
1 standard size servos – throttle

Miscellaneous informations

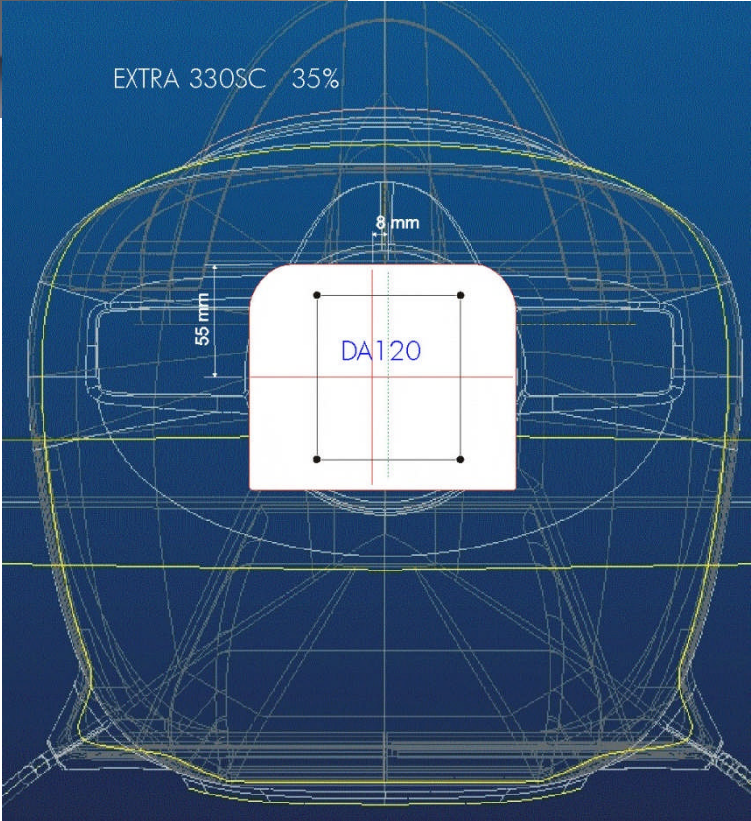
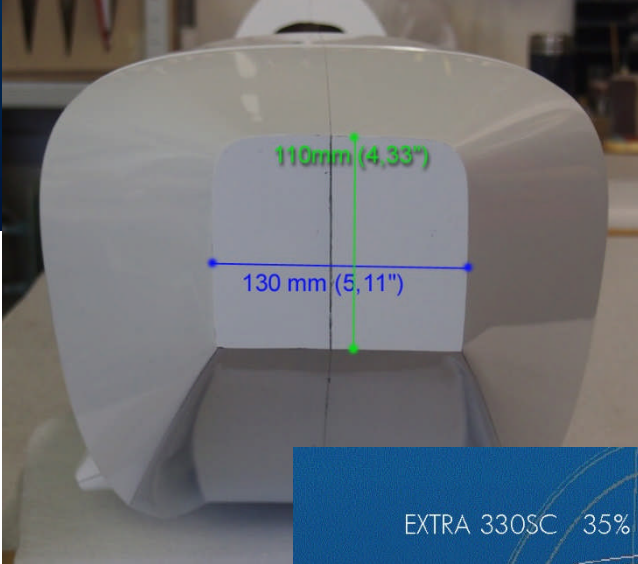
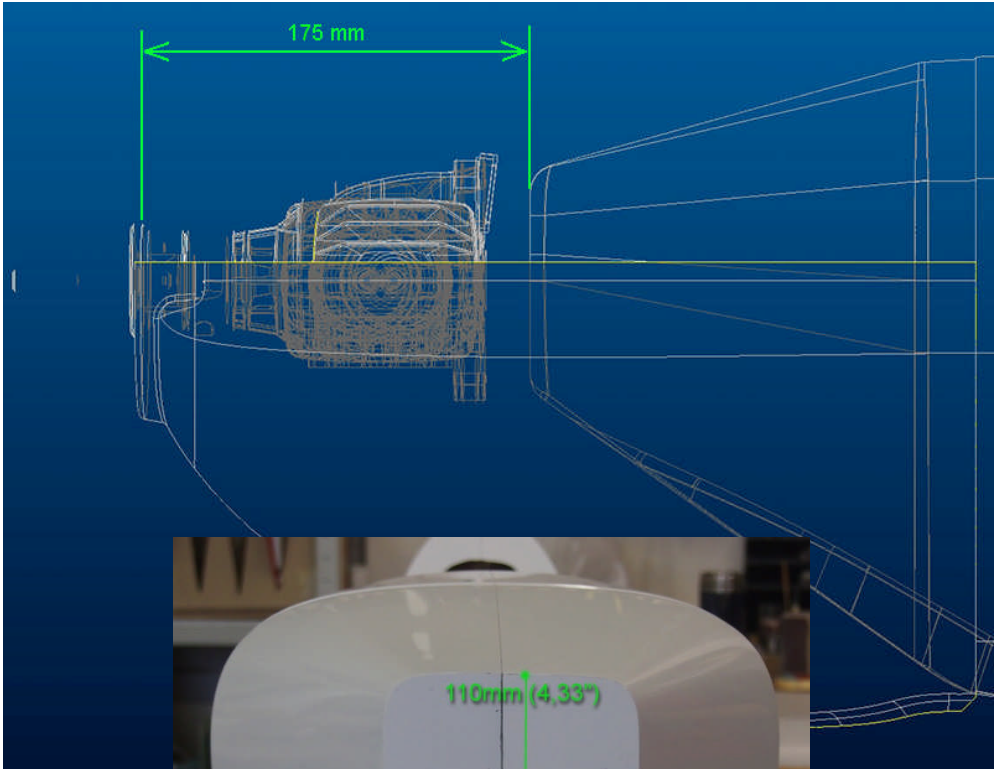
CG location



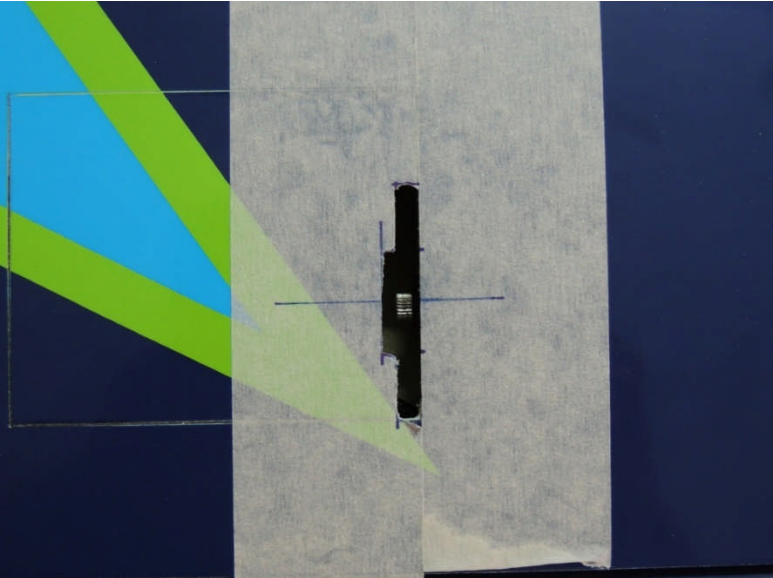
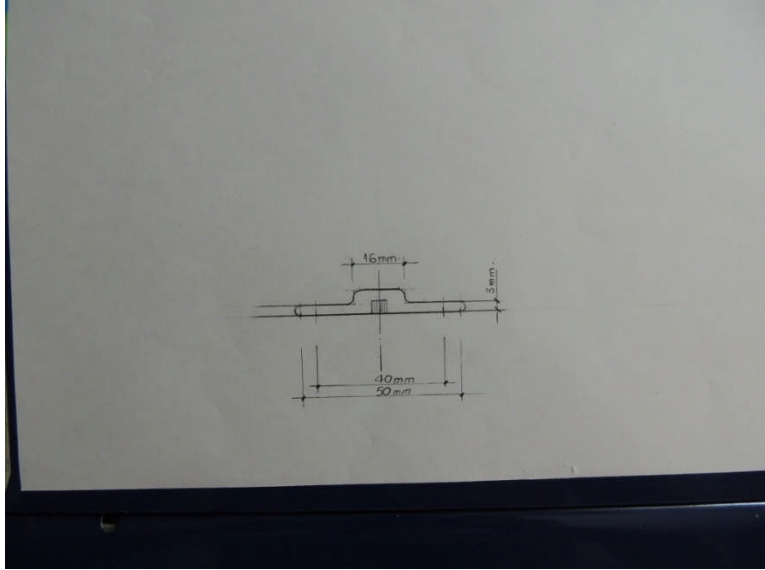
Setting



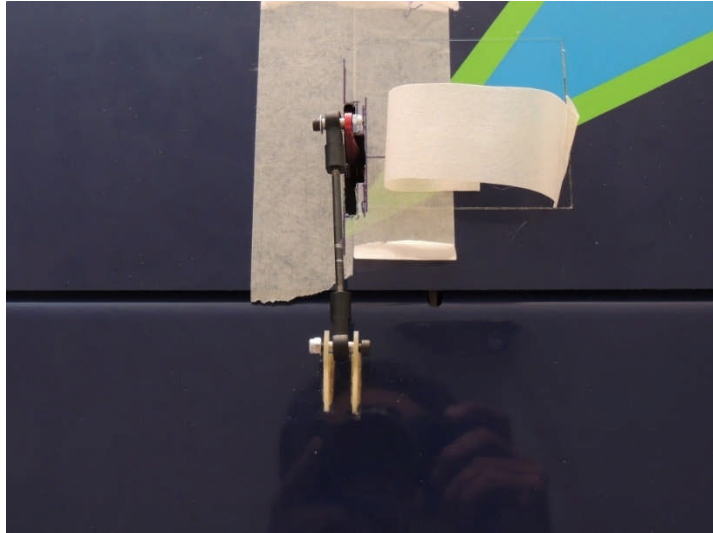
Firewall



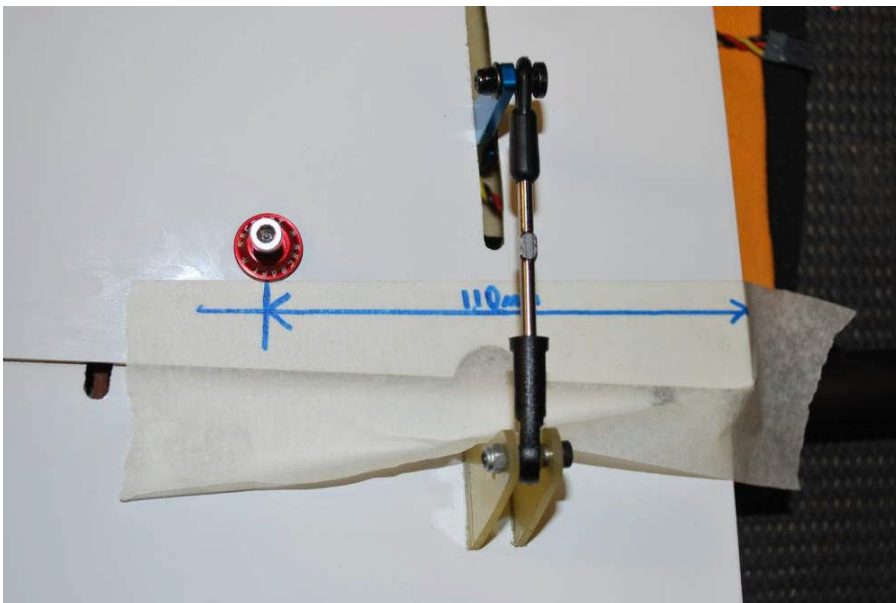
Wing assembly

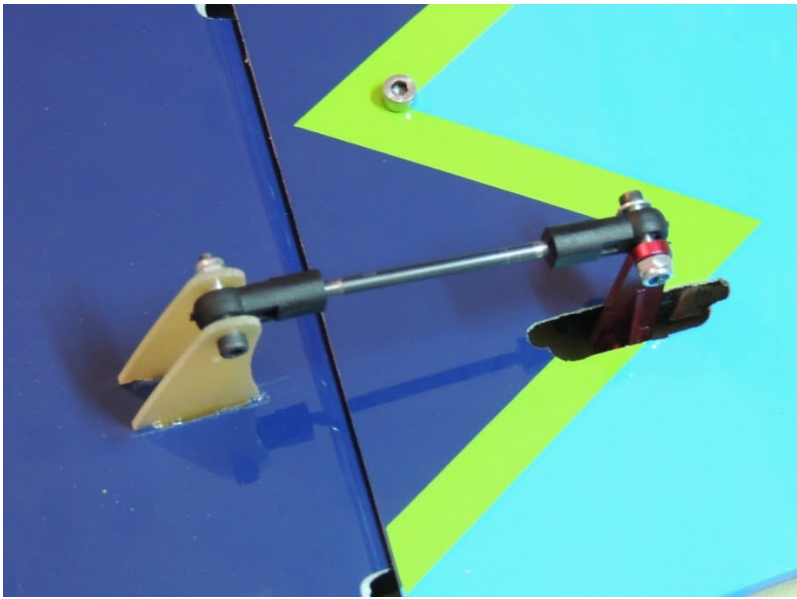
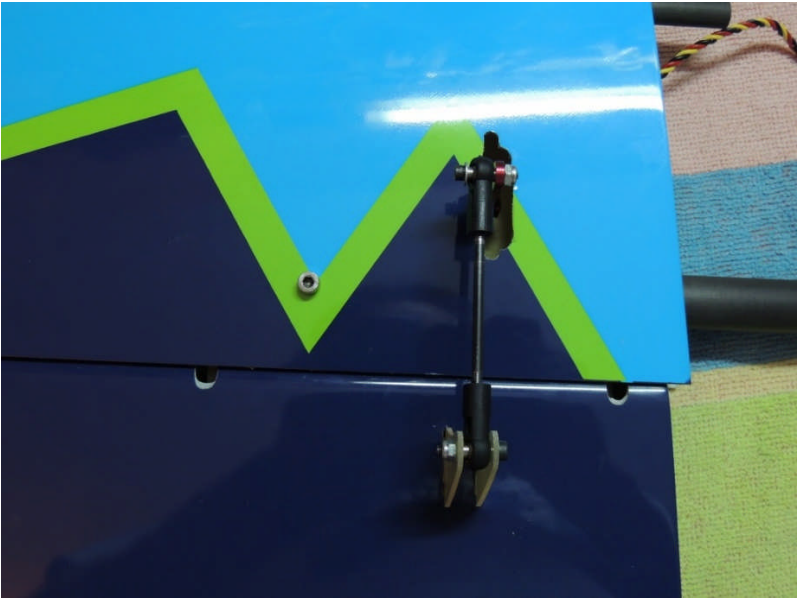
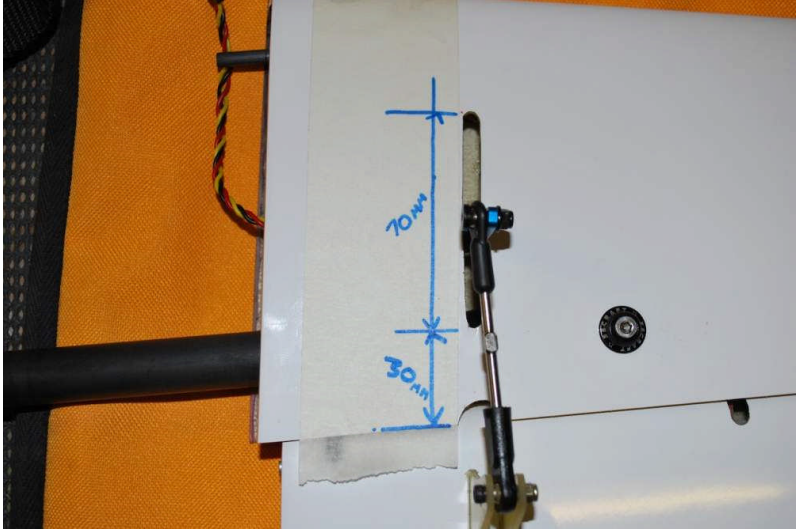


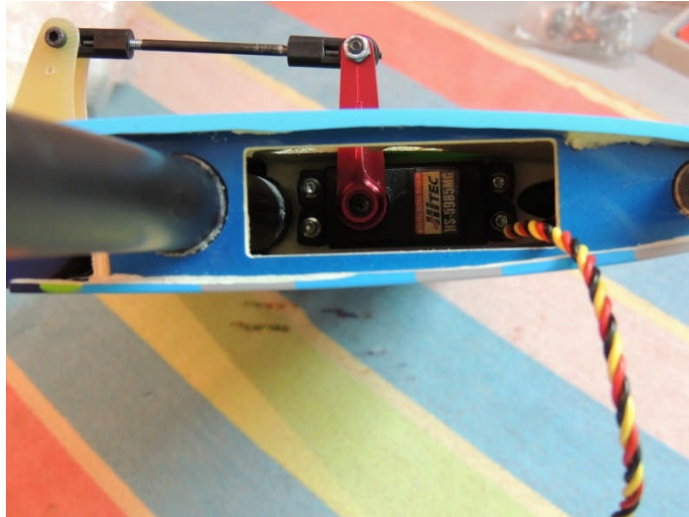




Elevator assembly

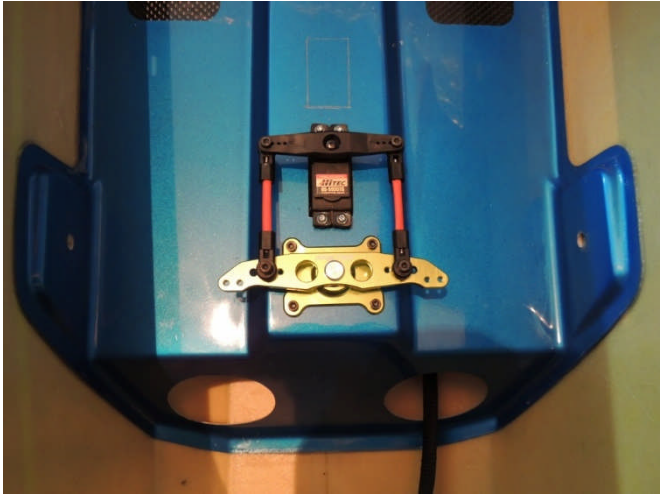




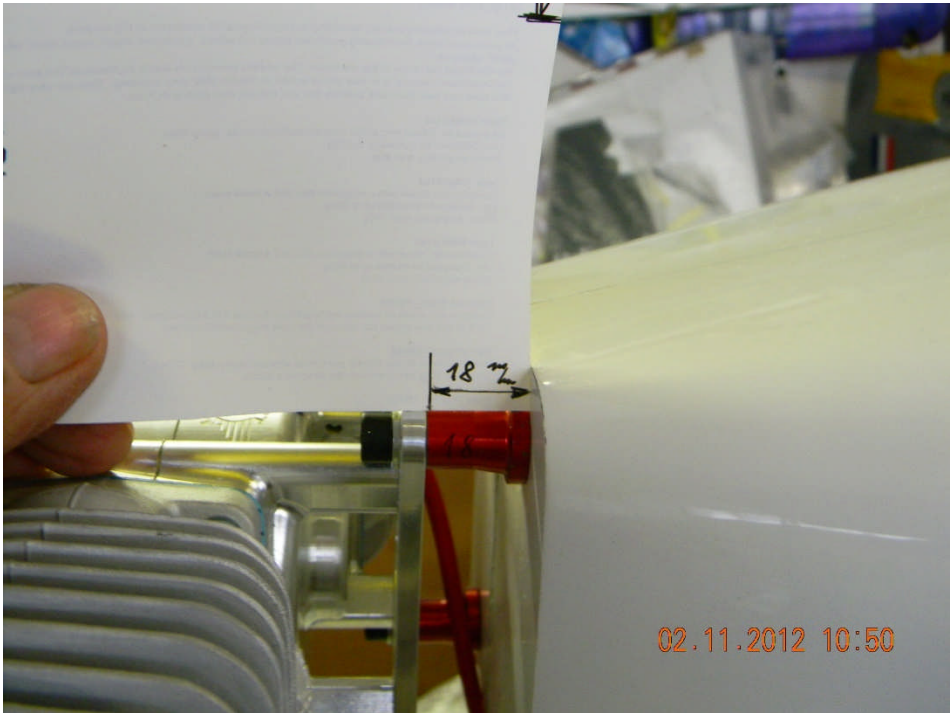
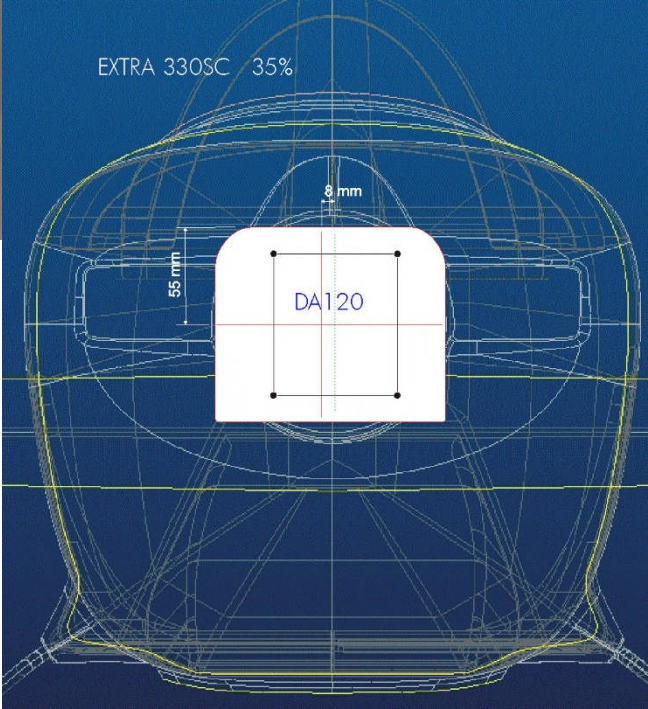
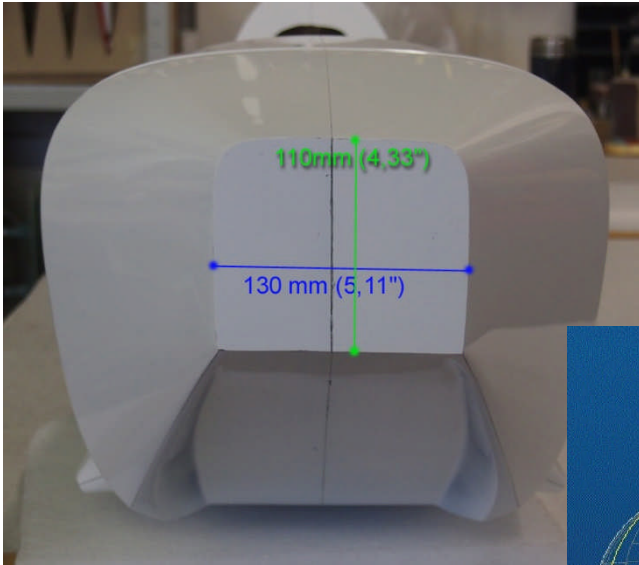


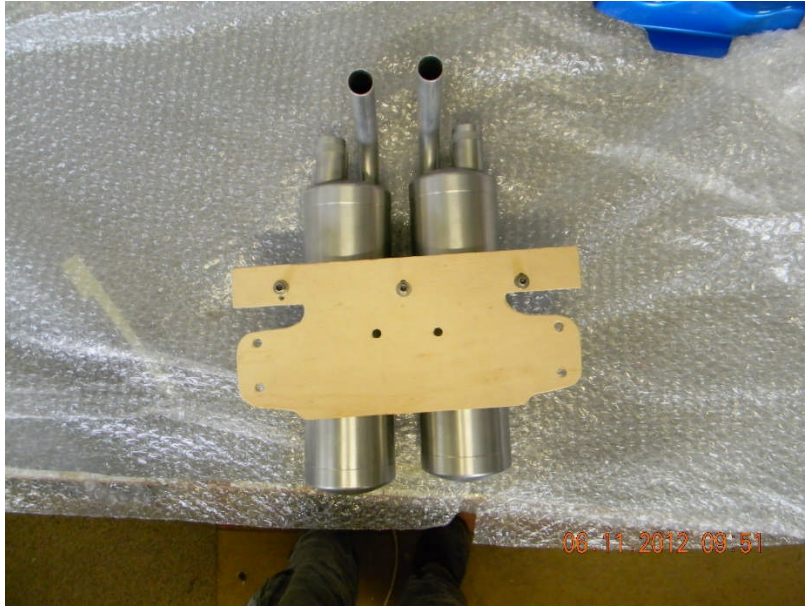
Rudder assembly





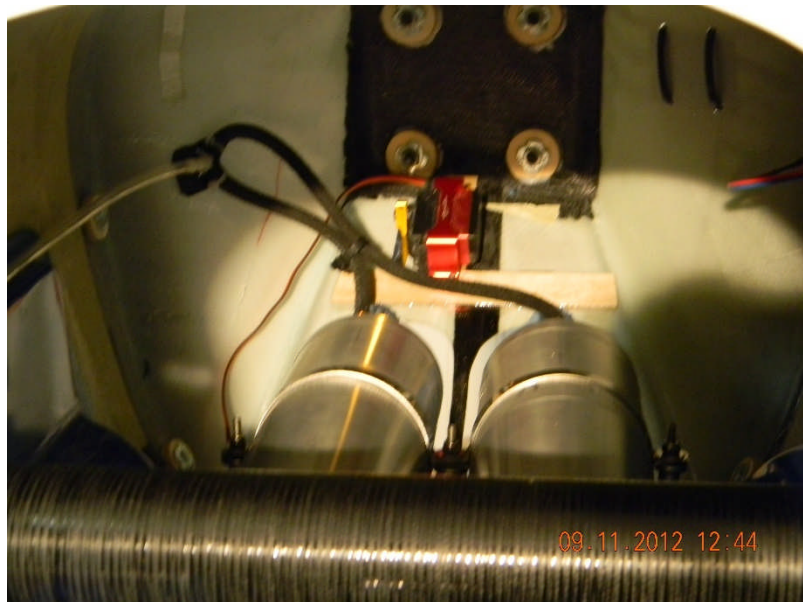
Engine assembly









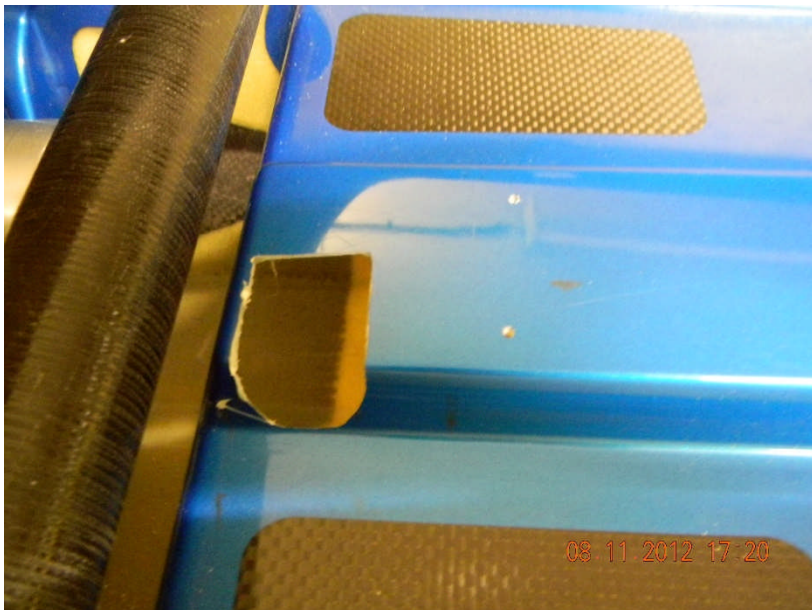
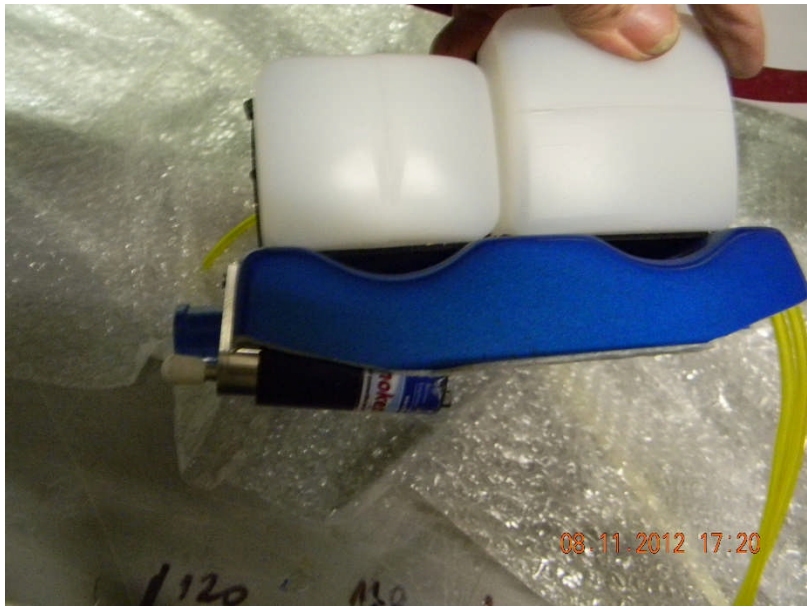


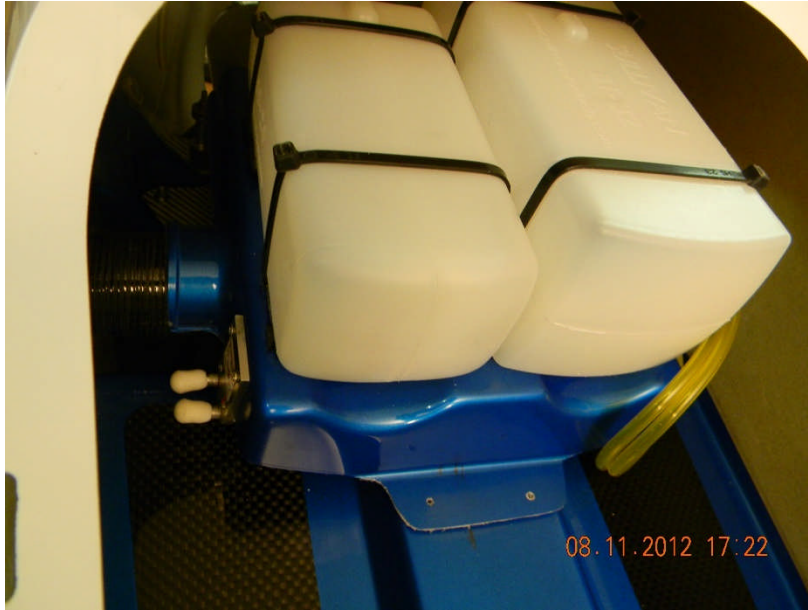




Fuel/Smoke tank assembly







Wheel pants assembly



